

A Typical Residential Construction Temporary

Note: All current National Electric Code requirements will be the responsibility of the consumer prior to connection.



Carroll Electric Cooperative, Inc.
Engineering Department
350 Canton Rd. NW
Carrollton, OH 44615
(330) 627-2116 or 800-232-7697
(330) 627-7050 FAX

Wood Structure

Contractors:

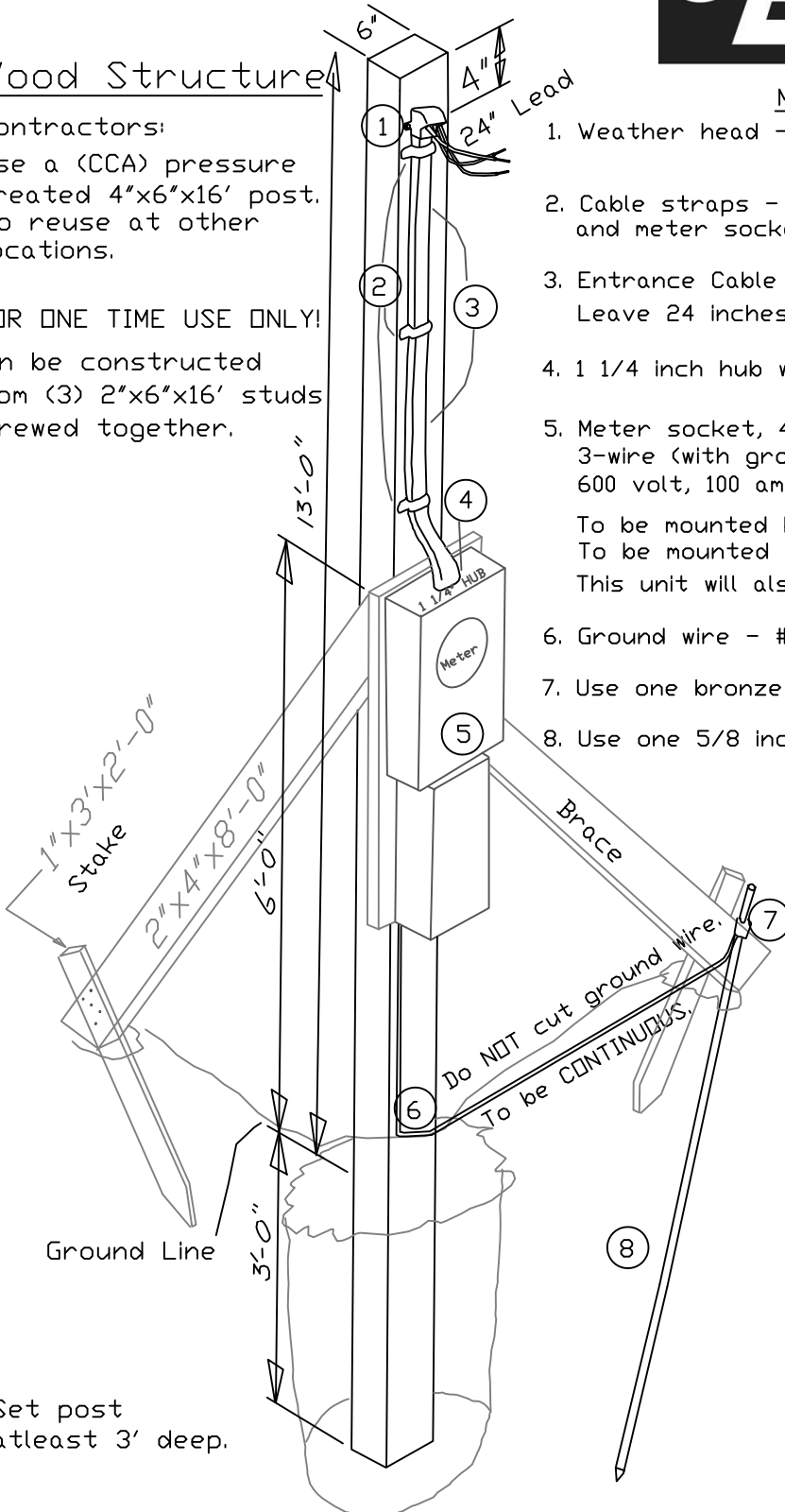
Use a (CCA) pressure treated 4"x6"x16' post. To reuse at other locations.

FOR ONE TIME USE ONLY!

Can be constructed from (3) 2"x6"x16' studs screwed together.

Material List

1. Weather head - 12' minimum from ground line. (17' minimum over road way)
2. Cable straps - Within 12 inches of weatherhead head and meter socket and at least every 2 feet in between.
3. Entrance Cable - SE/U type - #4 copper or #2 aluminum. Leave 24 inches of wire out of weatherhead.
4. 1 1/4 inch hub with weatherproof connector.
5. Meter socket, 4 terminal, ringless type, 3-wire (with grounding lug), 1 phase, 600 volt, 100 ampere rated. (See Note)
To be mounted between 5 and 6 feet above ground line. To be mounted on solid plank 3/4"x8"x24" backing board. This unit will also contain breakers and receptacles.
6. Ground wire - #6 copper (See note below).
7. Use one bronze ground rod clamps.
8. Use one 5/8 inch x 8 foot copper-clad ground rod.



NOTES

The main disconnect should be no greater than 100 amps. All receptacle will be weather proof and GFCI rated.

The temporary unit can not be installed more than 30 feet of our last pole, but no closer than 15 feet.

Other electrical layouts and temporary locations need to be discussed with the Engineering Department prior to use.

WARNING - AT NO TIME SHOULD YOU PUT COPPER AND ALUMINUM TOGETHER UNDER THE SAME CONNECTOR. CORROSION INHIBITOR TO BE USED ON ALL ALUMINUM CONNECTIONS.

Rev. 03/2012