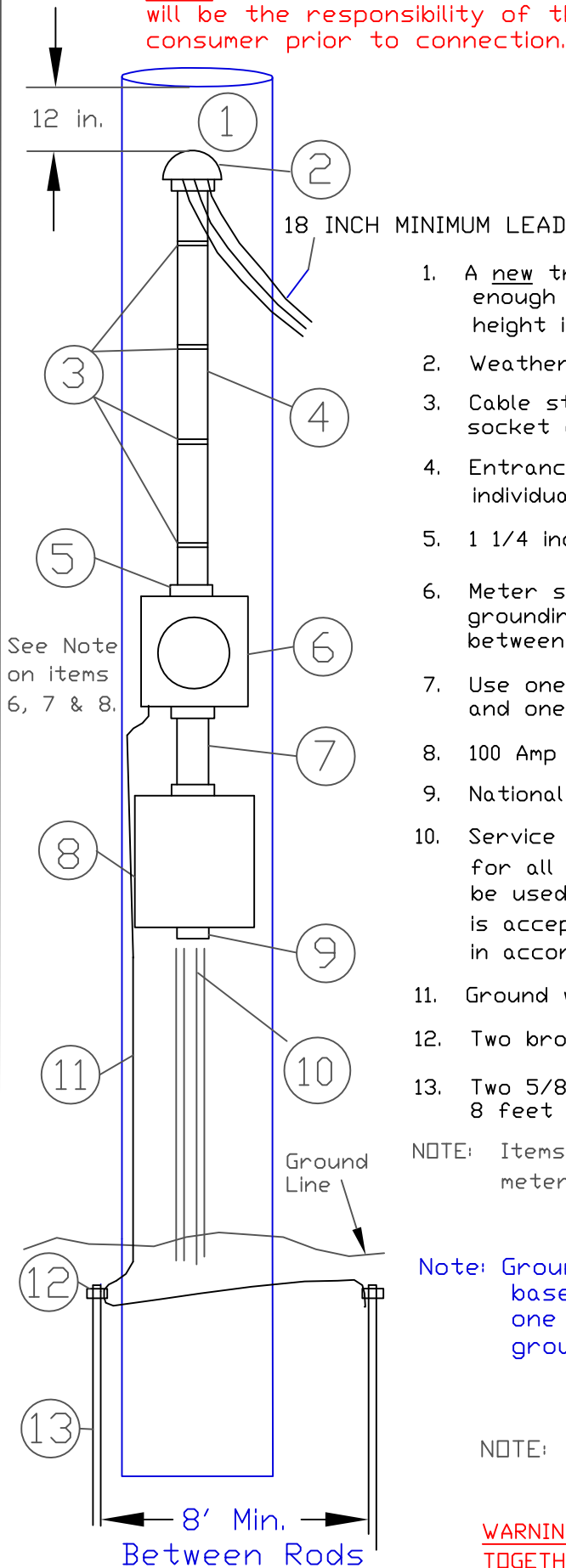


A Typical 100 Ampere Meter Pole Service Entrance

Note: All current National Electric Code requirements will be the responsibility of the consumer prior to connection.



Carroll Electric Cooperative, Inc.
Engineering Department
350 Canton Rd. NW
Carrollton, OH 44615
(330) 627-2116 or 800-232-7697
(330) 627-7050 FAX



See Note on items 6, 7 & 8.

Material List

1. A new treated pole is required. The pole must be tall enough to give proper ground clearance. Minimum pole height is 25 foot with at least 5 feet in the ground.
2. Weather head - mounted within 12 inches of top of pole.
3. Cable straps - Within 12 inches of weatherhead and meter socket and at least every 2 feet in between.
4. Entrance - SE/U type cable #4 copper or #2 aluminum, or individual wires in 1 1/4 inch Rigid or PVC conduit.
5. 1 1/4 inch hub with weatherproof connector.
6. Meter socket, single phase, ringless, three wire (with grounding lug), 600 volt, 100 ampere rating, mounted between 4 feet 6 inches and 6 feet above ground line.
7. Use one 1 1/4 inch x 8 inch nipple, (4) 1 1/4 inch lock nuts, and one 1 1/4 inch grounded bushing and one bushing.
8. 100 Amp main disconnect, weatherproof enclosure.
9. National Electric Code approved connector and materials.
10. Service wire - Use direct bury #4 Copper or #2 aluminum, for all trailer and sub-fed panel installations. Two (2) wires will be used for grounding electrical panel box. A reduced neutral is acceptable. This will make up a four (4) wire circuit. This is in accordance with the NEC Articles 250-23, 550-5 and 550-23.
11. Ground wire - #4 bare copper. (See note below.)
12. Two bronze ground rod clamps.
13. Two 5/8 in. x 8 foot copper-clad ground rods - minimum 8 feet apart. Ground rods to be driven below ground line.

NOTE: Items 6, 7, & 8, can be substituted with a combination meter / disconnect unit. Such as: Milbank # MUSE-AP-200-MB, or an Anchor MB200R

Note: Ground wire to be connected to ground buss in meter base and connect to the two ground rods with one continuous wire. If using combination unit, one grounding point in disconnect section is permissible.

DO NOT BREAK OR CUT GROUND WIRE!

NOTE: Meter pole and its disconnect is to be set within 30 feet of a trailer exterior wall.

WARNING - AT NO TIME SHOULD YOU PUT COPPER AND ALUMINUM TOGETHER UNDER THE SAME CONNECTOR. CORROSION INHIBITOR TO BE USED ON ALL ALUMINUM CONNECTIONS.